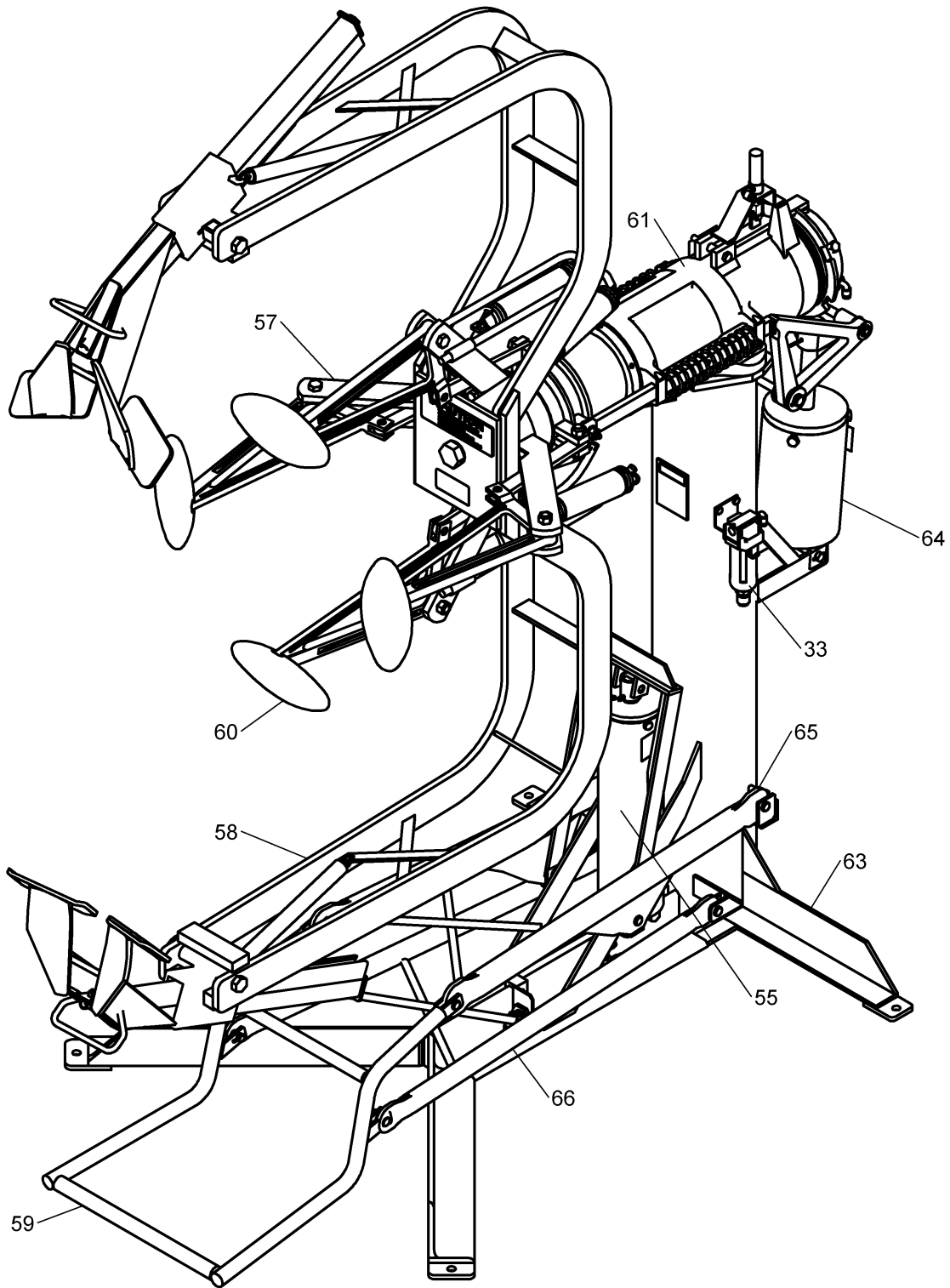
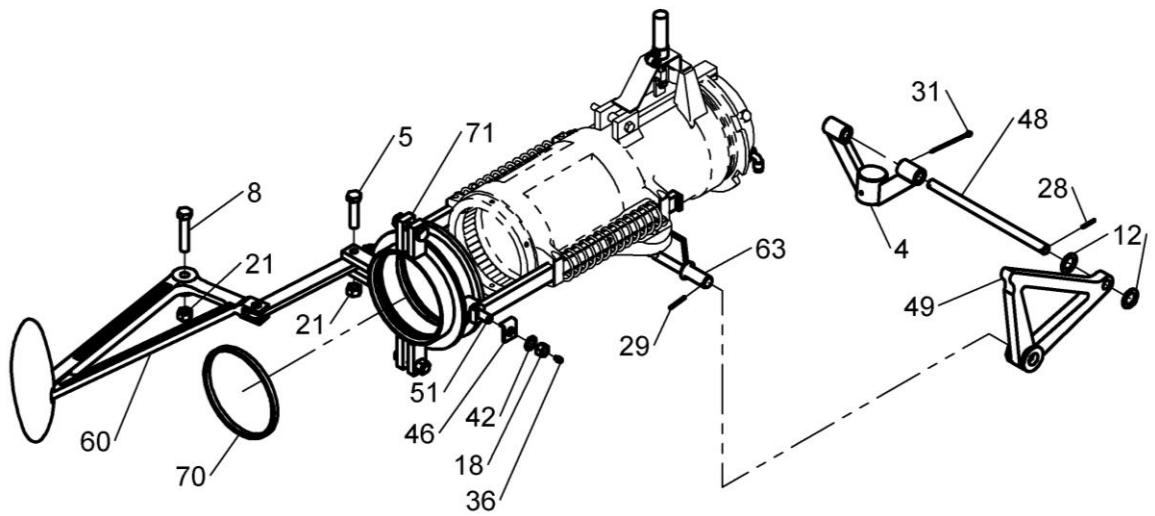


REPAIR PARTS



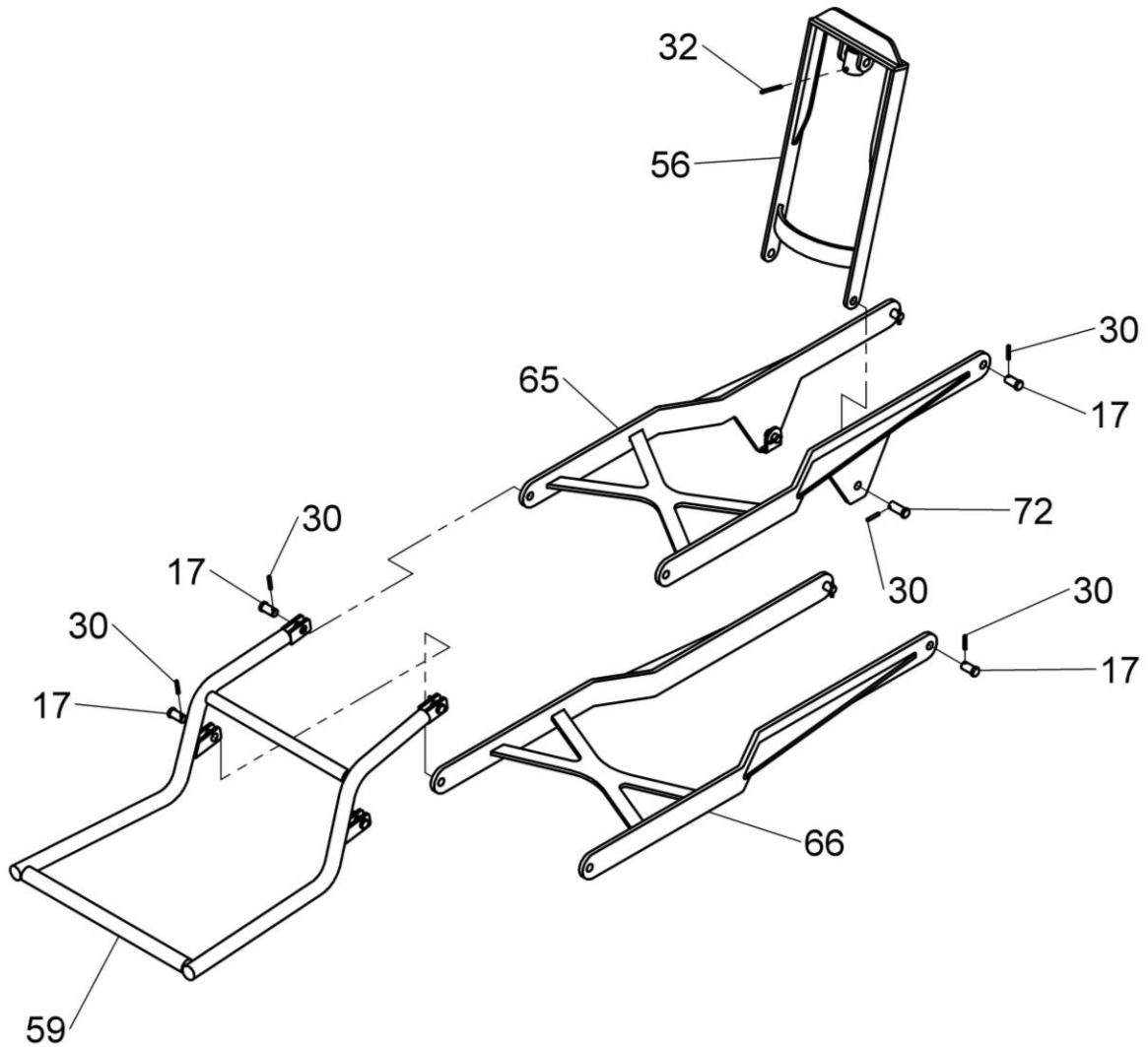
Model HD.EF General Assembly

See parts list on page 9 & 10



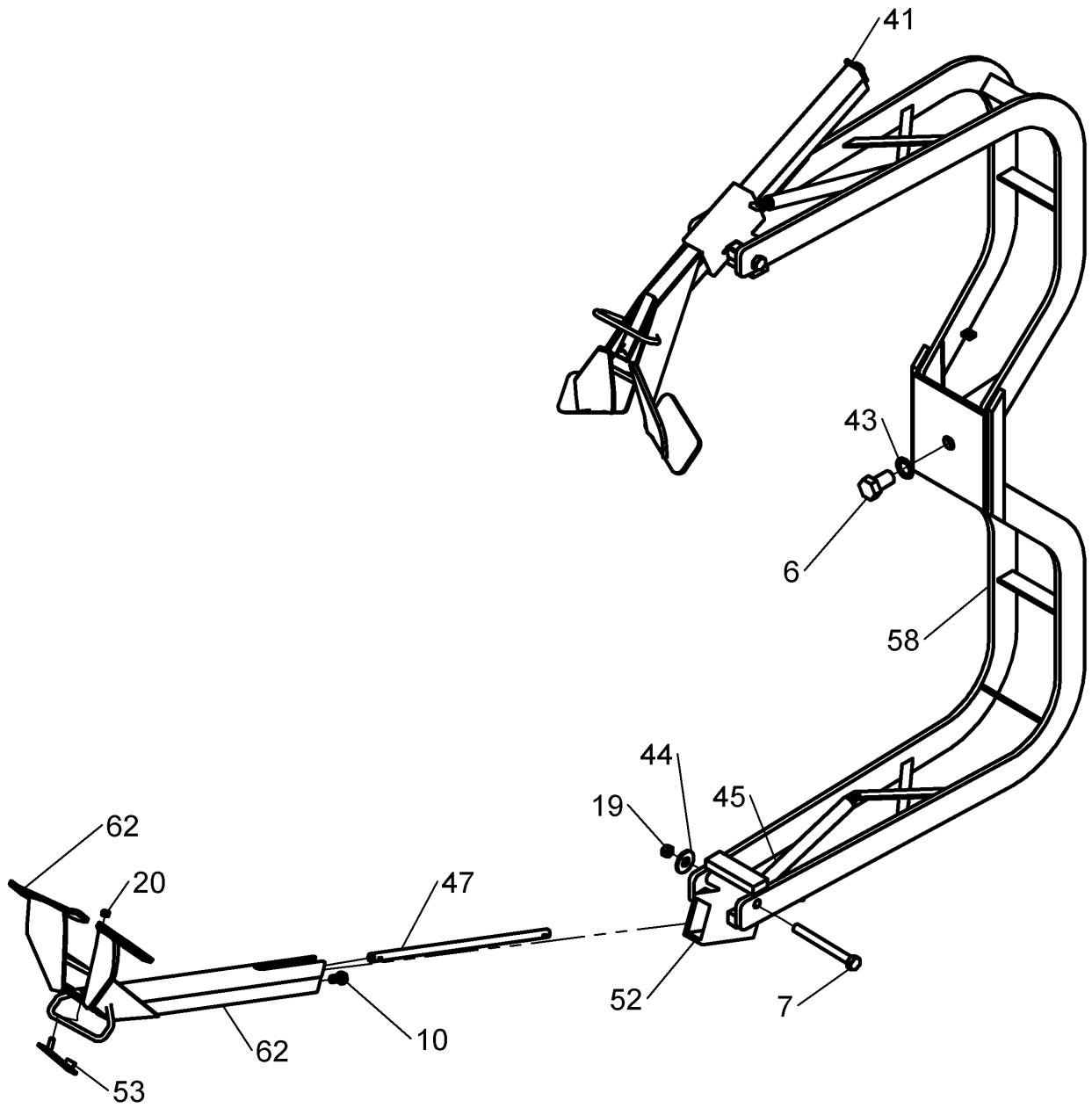
Diameter Arms & Linkage

See parts list on page 9 & 10



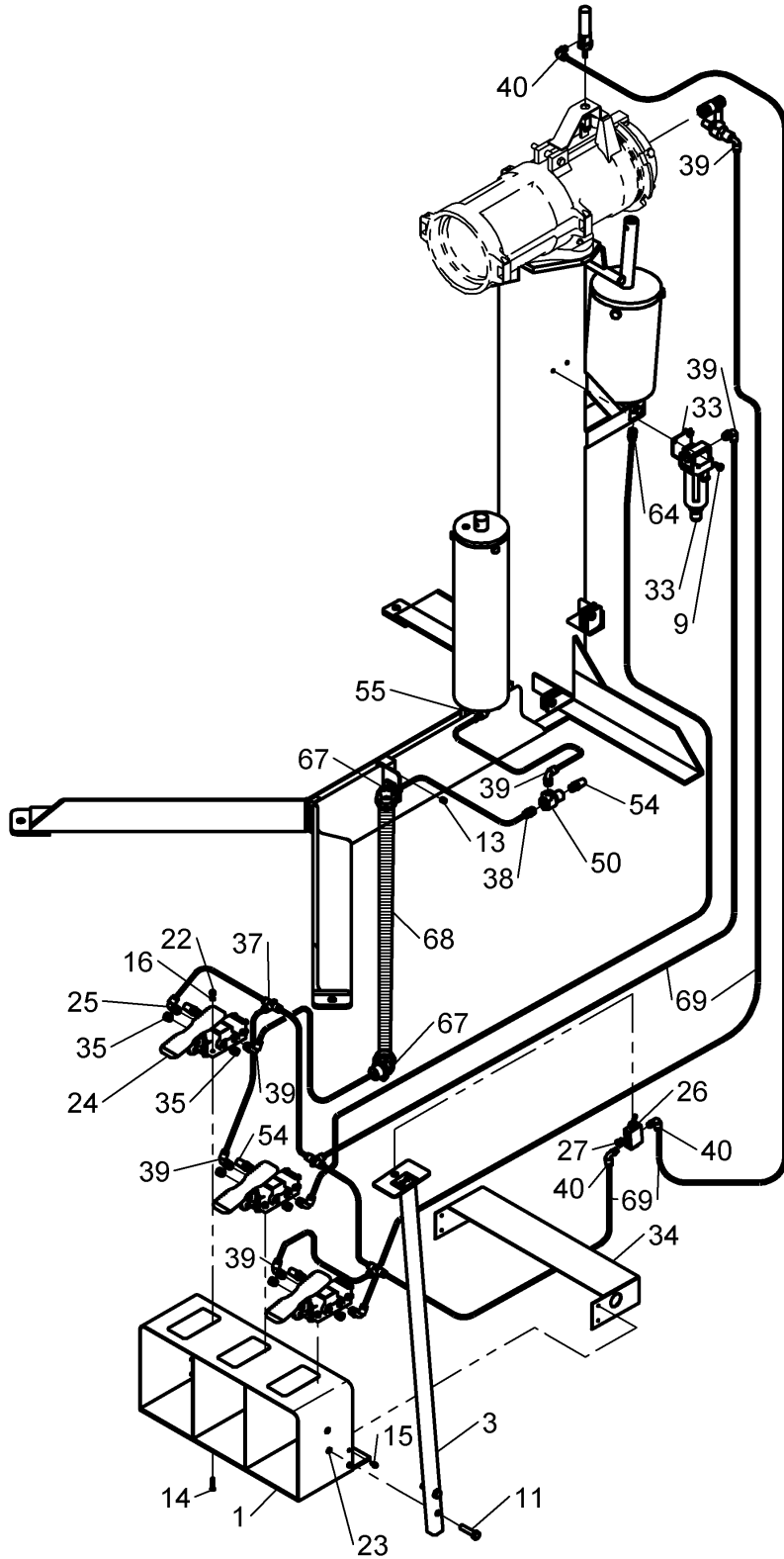
Lift Cradle Assembly

See parts list on page 9 & 10



Spread Arms Assembly

See parts list on page 9 & 10



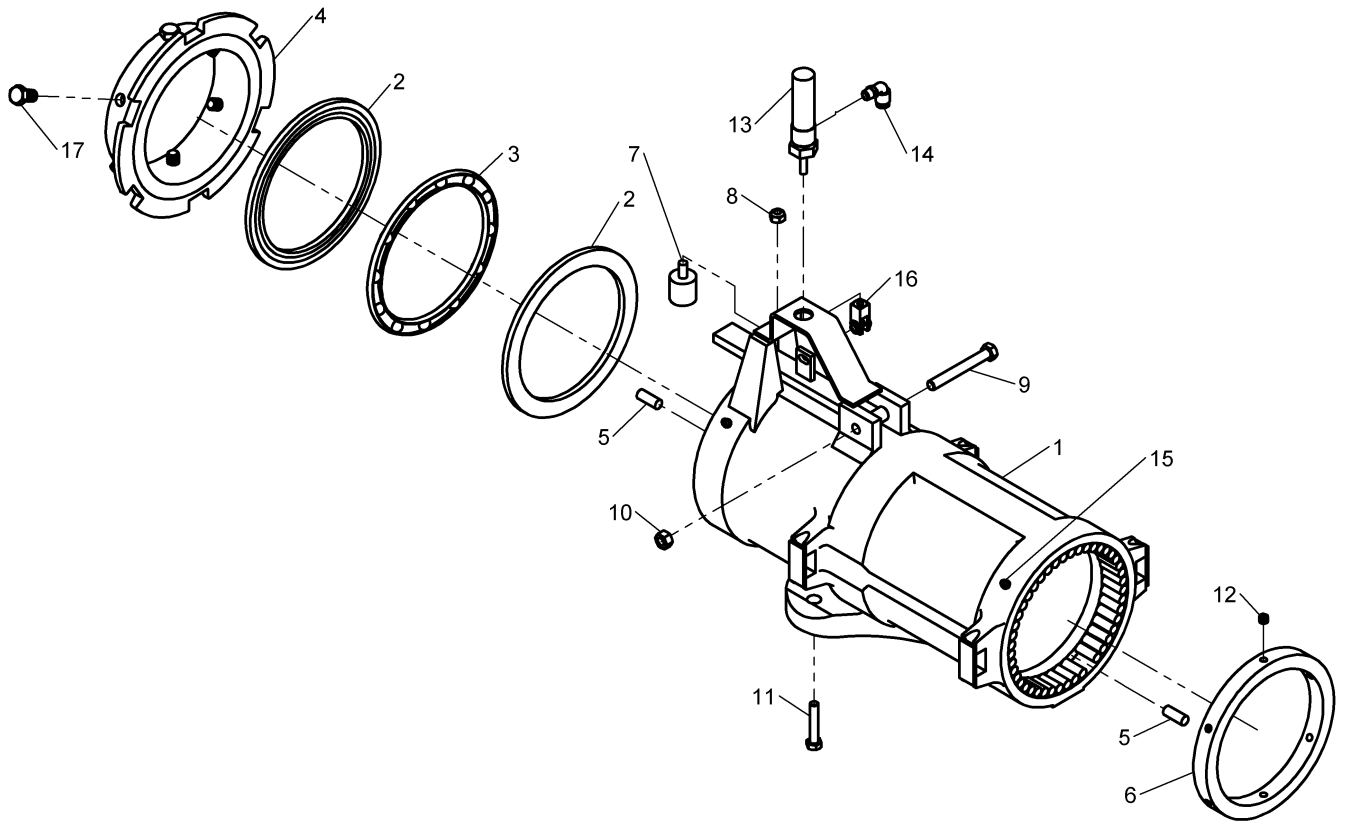
Pneumatics

See parts list on page 9 & 10

REPAIR PARTS LIST

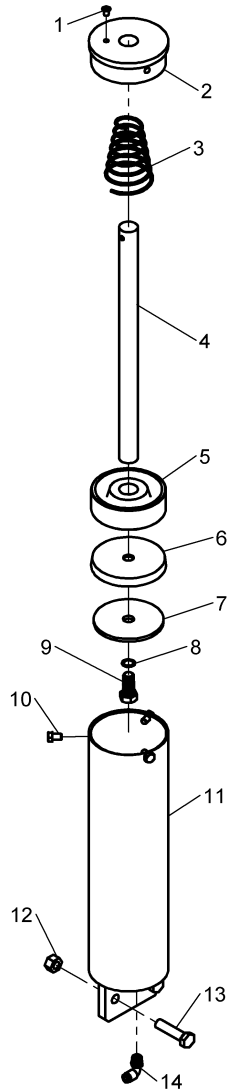
ITEM	QTY	PART NO.	DESCRIPTION
1	1	03-0048	WELD, FOOT GUARD
2	1	03-0052	WELD, FITTING MOUNT
3	1	03-0219	WELD, VALVE MOUNT
4	1	03-0363	CONNECTOR, HDEF DIA. CYL.
5	6	028-006	SCREW, 1/2 X 2 NC H.H.C
6	1	028-017	SCREW, 1 X 1.75 N.C H.H.C
7	2	028-024	SCREW, 5/8 X 6 N.C H.H.C
8	4	028-089	SCREW, 1/2NC X 2-1/2 HHC
9	2	028-132	SCREW, 1/4-20 x 1/2 HHC
10	2	028-159	SCREW, 1/2-13 X 1 HHC
11	2	028-289	SCREW, 3/8-16 X 1-1/2 HHC
12	4	039-002	BUSHING, 3/4 MACHINE
13	1	50-0006	SCREW, 5/16-18 SS
14	12	50-0041	SCREW, #8-32 X 1 CSK HD MACH
15	4	50-0090	SCREW, #8-32 X 3/8 SHH TAPPING
16	12	52-0006	WASHER, #8 INT TOOTH LOCK
17	8	54-0003	PIN, 1/2" x 1" CLEVIS
18	2	055-010	NUT, 1/2-20 HEX JAM
19	2	055-011	NUT, 5/8 HEX
20	2	055-023	NUT, 5/16-18 PREV TORQ LOCK
21	10	055-058	NUT, 1/2-13NC BI-WAY LOCK
22	12	055-082	NUT, #8-32 NYLON LOCK
23	2	055-103	NUT, 3/8-16 SERR HEX FLG
24	3	60-0009	VALVE, TREADLE, 4-WAY
25	1	60-0010	FITTING, 1/4 TUBE ELBOW (ORIFICED)
26	1	60-0046	VALVE, TOGGLE
27	1	60-0174	FITTING, 1/8 NPT BREATHER VENT
28	4	061-005	PIN, 1/8 X 1 SPRING
29	2	061-006	PIN, 1/8 X 1-1/4 SPRING
30	10	061-009	PIN, 5/32 X 1 SPRING
31	1	061-166	PIN, COTTER
32	1	061-013	PIN, 5/32 X 1.75 COTTER
33	1	64-0001	FILTER W/BACKET
34	1	72-0021	GUARD, AIRLINE
35	7	096-004	FITTING, 1/4 NPT HSH PLUG
36	2	096-010	ZERK, 3/16" DRIVE
37	3	096-339	FITTING, UNION TEE (1/4 TUBE)
38	1	096-340	FITTING, 1/4NPT X 1/4 TUBE, STR.
39	8	096-342	FITTING, 1/4 TUBE ELBOW
40	3	096-346	FITTING, 1/8 NPT X 1/4 TUBE, 90°

ITEM	QTY	PART NO.	DESCRIPTION
41	2	101-197	PLATE
42	2	108-006	WASHER, 1/2 INTENAL LOCK
43	1	108-012	WASHER, 1" INT. LOCK
44	2	108-022	WASHER, 5/8 WROUGHT
45	2	110-011	SPRING, TENSION
46	2	111-030	BRACKET, INSIDE ARM
47	2	110-200	SPRING, SLEEVE
48	1	149-112	EQUALIZER ROD
49	2	157-003	WELDMENT, BELL CRANK
50	2	190-085	VALVE, QUICK EXHAUST
51	2	281-004	1.25 ROLLER
52	2	446-006	BEAD HOOK SOCKET
53	2	876-002	SPRING CONNECTOR
54	5	885-035	MUFFLER, 1/4 NPT
55	1	900-016	LIFT CYLINDER W/ CUP
56	1	900-022	YOKE ASSEMBLY
57	1	900-028	SPREAD ARM CYLINDER ASSY.
58	1	900-033	HEAD, SPREAD ARM W/ EXTENSION
59	1	900-035	LIFT CRADLE ASSY
60	4	900-036	DIAMETER ARM ASSEMBLY
61	1	900-037	HD/EF TIRE SPREADER
62	2	900-040	BEAD HOOK ASSY.
63	1	900-041	BASE & COLUMN
64	1	900-043	DIAMETER ARM CYLINDER ASSEMBLY
65	1	03-0611	UPPER ARM ASSEMBLY
66	1	03-0610	LOWER ARM ASSEMBLY
67	2	980-085	CONNECTOR, 3/4-45° CONDUIT
68		B40-003	CONDUIT, 3/4 FELX
69		D20-007	TUBE, 1/4 OD (YELLOW)
70	2	11-0073	WEAR STRIP
71	1	03-0355	SLIDING COLLAR
72	2	54-0054	PIN, 1/2" X 1 1/4" CLEVIS



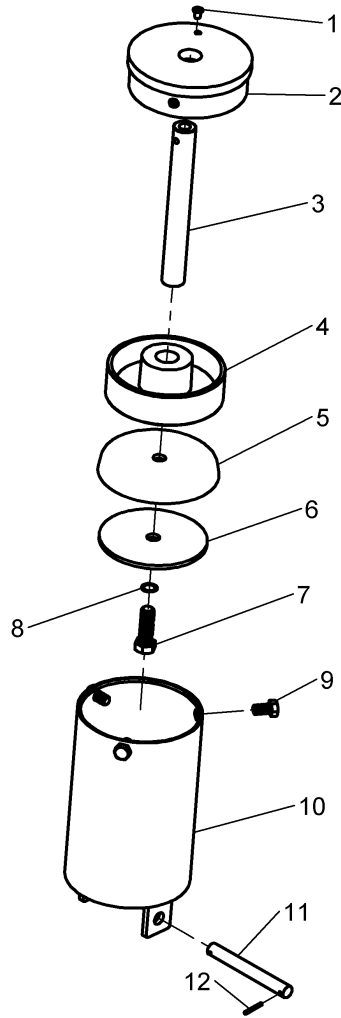
Housing Assembly (900-037)

ITEM	QTY	PART NO.	DESCRIPTION
1	1	950-050	HOUSING SUB ASSY.
2	2	107-005	BALL RACE
3	1	107-043	THRUST BEARING RETAINER
4	1	489-003	REAR COLLAR
5	98	281-001	ROLLER BEARING
6	1	489-002	FRONT COLLAR
7	1	10-0018	VIBRATION MOUNT
8	1	055-145	5/16-18 NYLON LOCK NUT
9	1	028-022	3/8-16 X 3 HHC SCREW
10	1	055-123	3/8-16 NC HEX NUT
11	2	028-016	5/16-18 X 1/3/4 HHCS SCREW
12	12	028-004	5/16 X 1/4 SOC SET SCREW
13	1	63-0014	AIR CYLINDER
14	1	096-346	1/8 NPT X 1/4 TUBE ELBOW FITTING
15	2	096-008	GREASE ZERK
16	1	53-0013	CYLINDER CLEVIS
17	6	028-005	7/16-14 X 3/4 HHC SCREW



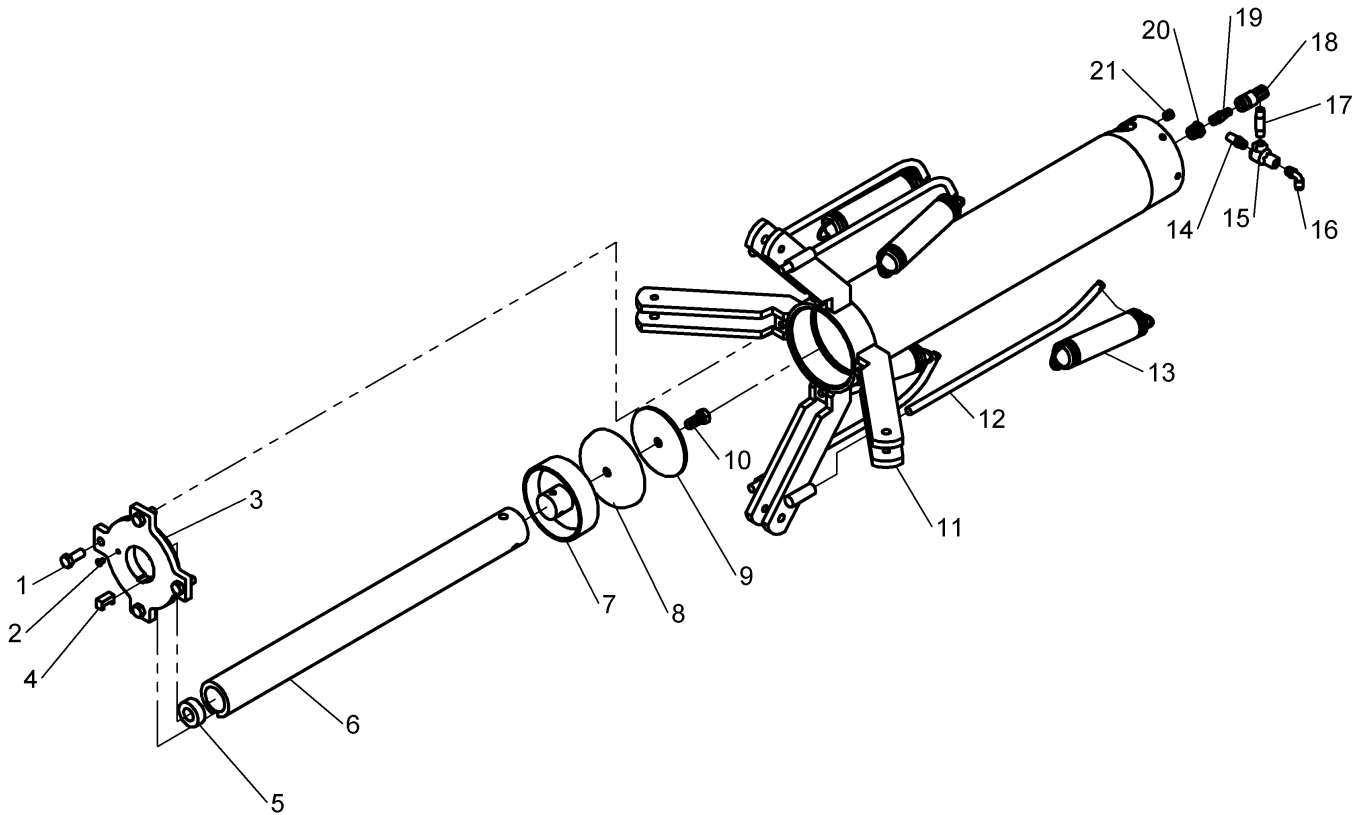
Lift Cylinder Assembly (900-016)

ITEM	QTY	PART NO.	DESCRIPTION	
1	1	006-004	1/4 CAP PLUG	
2	1	098-005	LIFT CYLINDER COVER PLATE	
3	1	110-007	LIFT CYLINDER SPRING	
4	1	149-011	LIFT PISTON ROD	
5	1	051-026	LIFT PISTON	
6	1	041-295	4" PISTON CUP	
7	1	101-296	CUP RETAINER	
8	1	167-240	14mm GASKET	
9	1	028-239	9/16-12 X 1/1/4 HHC SCREW	
10	3	028-280	5/16-18 X 1/2 HHC SCREW	
11	1	005-030	LIFT CYLINDER TUBE	
12	2	055-058	1/2-13 NC BI-WAY LOCK NUT	
13	2	028-006	1/2 X 2 NC HHC SCREW	
14	1	096-342	1/4 TUBE ELBOW FITTING	



Diameter Arm Cylinder Assembly (900-043)

ITEM	QTY	PART NO.	DESCRIPTION	
1	1	006-004	1/4 CAP PLUG	
2	1	264-001	DIA. ARM CYLINDER	
3	1	104-002	PISTON SHAFT	
4	1	051-016	5/16" PISTON	
5	1	041-009	5/16" PISTON CUP	
6	1	101-033	PISTON PLATE	
7	1	028-013	9/16-12 X 1/4 HHC SCREW	
8	1	167-240	14 mm GASKET	
9	3	028-005	7/16-14 X 3/4 HHC SCREW	
10	1	030-006	CYLINDER TUBE	
11	1	149-020	DIA. CYLINDER ROD	
12	2	061-005	1/8 X 1 SPRING PIN	



Spread Cylinder Assembly (900-028)

ITEM	QTY	PART NO.	DESCRIPTION	
1	4	028-034	1/2-13 X 1/1/4 HHC SCREW	
2	1	006-004	1/4 CAP PLUG	
3	1	098-004	COVER PLATE	
4	1	251-002	KEY	
5	1	108-011	PISTON ROD WASHER	
6	1	149-008	PISTON KROD	
7	1	051-006	SPREAD ARM PISTON	
8	1	041-009	5/1/4 PISTON CUP	
9	1	101-033	PISTON PLATE	
10	1	028-239	9/16-12 X 1/1/4 HHC SCREW	
11	1	103-009	SPIDER ARM	
12	4	149-021	RETURN SPRING ROD	
13	4	110-004	TENSION SPRINGS	
14	1	885-035	1/4 NPT MUFFLER	
15	1	190-085	QUICK EXHAUST VALVE	
16	1	096-342	1/4 TUBE ELBOW FITTING	
17	1	096-007	2" PIPE NIPPLE	
18	1	034-027	QUICK COUPLER	
19	1	096-170	1/4 TRU-FLATE NIPPLE	
20	1	039-008	1/2 TO 1/4 PIPE BUSHING	
21	1	096-004	1/4 NPT HSH PLUG	